

SUBJ: REFLECTOR COMPASS  
 SR-165, MR-165C & MR-150  
 PERISCOPE LENGTH

Date: 2013/NOV  
 Dept: Sales  
 Name:

All the reflector compasses from Saura; SR-165, MR-165C and MR-150 are supplied with a periscope tube of a standard length unless otherwise specified at the time of ordering. Longer or shorter length of periscope tube is also available. The table below shows the list of periscope dimensions that can be chose from.

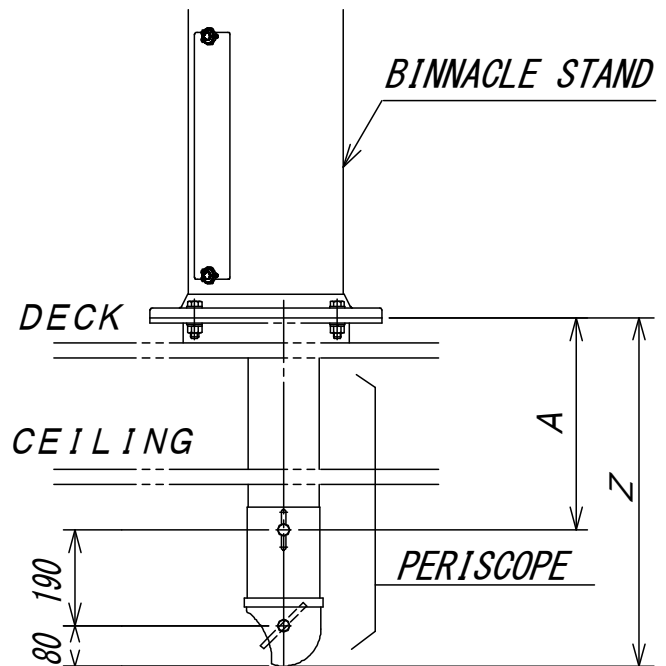
For ease of understanding, “periscope length” is referred to as “A” length which is the vertical dimension from the bottom end of the binnacle stand down to the end of mirror head cover. “Z” length is 680mm ±35mm as standard.

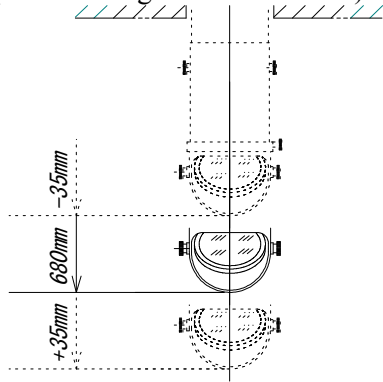
UNLESS OTHERWISE SPECIFIED AT THE TIME OF ORDER, ALL REFLECTOR COMPASSES WILL BE SUPPLIED WITH THE STANDARD LENGTH PERISCOPE, i.e., Z=680mm

**EXTRA CHARGES**

Extra charges may apply to the periscope length requirements other than the standard length as set forth in the table below.

Periscope dimensions that attract extras differ from the models of the reflector magnetic compass. The periscope length typed in block letters will be supplied at no extra cost.



Periscope length (“Z” length)	SR-165	MR-165C	MR-150
Standard length Z=680 ±35mm (715mm long ↔ 645mm short)	<b>680 (A=410)</b>	<b>680</b>	<b>680</b>
	<b>720 (A=450)</b>	720	720
	<b>790 (A=520)</b>	790	790
	<b>860 (A=590)</b>	860	860
	<b>930 (A=660)</b>	930	930
	<b>1000 (A=730)</b>	1000	1000
	<b>1070 (A=800)</b>	1070	1070
	<b>1140 (A=870)</b>	1140	1140
	<b>1210 (A=940)</b>	1210	1210
	1280 (A=1010)	1280	1280
	1350 (A=1080)	1350	1350
	1420 (A=1150)	1420	1420
	1490 (A=1220)	1490	1490

(Periscope lengths in italic letters are subject to an extra cost)

- MR-165C and MR-150: periscopes longer than 680mm will come in a separate box when shipped.
- SR-165: periscopes up to 930mm will be packed with the binnacle stand in a same shipping box.
- Adjustable range for the viewing mirror head is 70mm vertically (±35mm)
- Periscope length can be specified by “A” dimension. Refer to the detailed periscope drawing.